



Lo-Trim Baseboard Radiation

Providing comfort to any room *with style!*

- Low Profile
- Quiet Operation
- Advanced Design
- Quick & Easy to Install



**CLIP-ON
HANGERS**

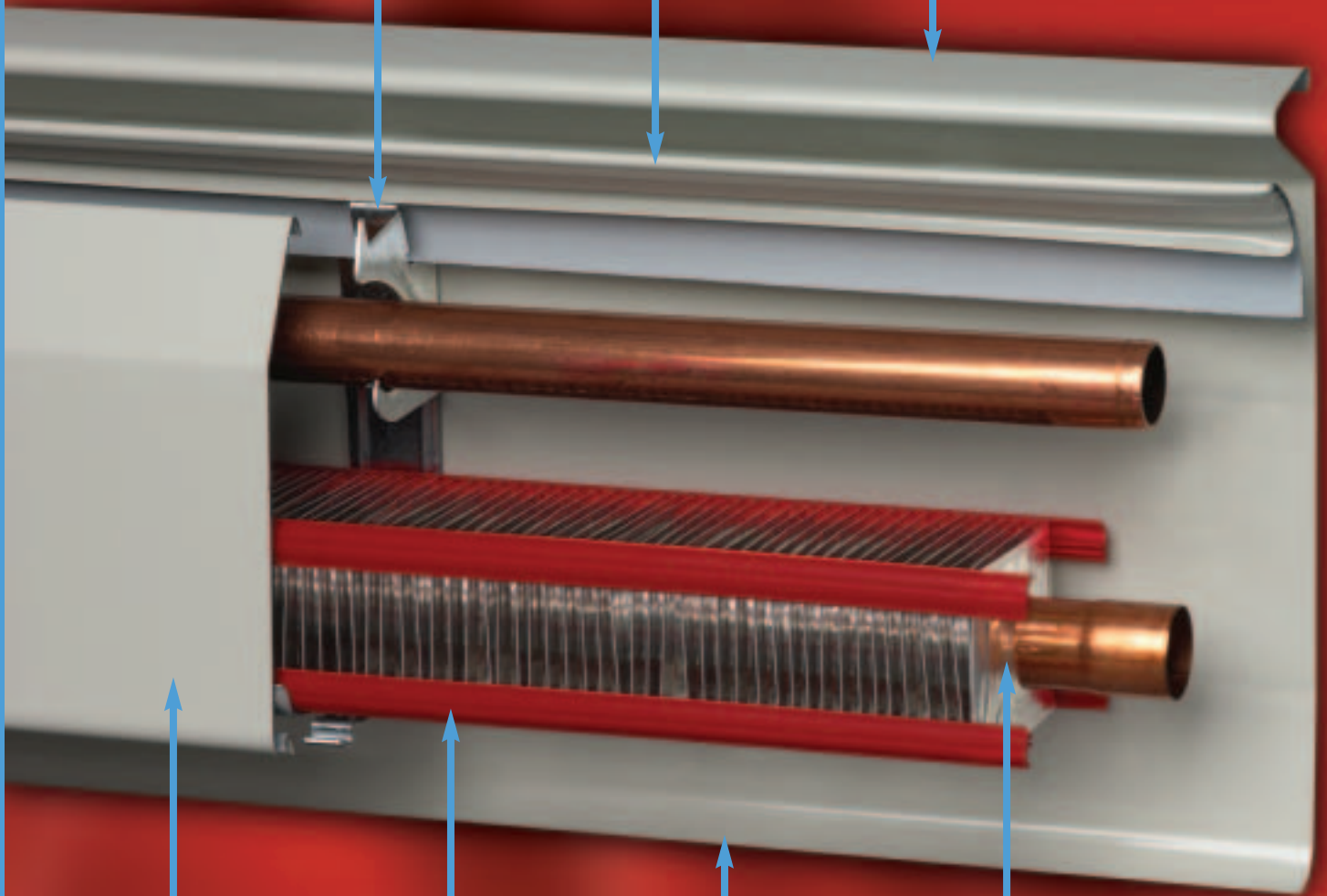
Perfectly align
finned element
and return pipe.
Simply clip into
slots in back panel.

**FULLY
MODULATING
DAMPER**

Thermodynamic
design optimizes
convection with
finger-tip control.

**SPRING
ACTION
WALL SEAL**

Tight fit to
wall prevents
streaking and
smudging.



**HEAVY DUTY
COLD ROLLED
STEEL COVER**

Classic white
pre-painted
finish.

**RED-LINE
ELEMENT**

Aluminum fins
for high efficiency
heat transfer.
Plastic runners
prevent noise.

**COVE
BOTTOM**

No need for
floor moldings
with easy-to-clean
curved-base
back panel.

**PRESS-FIT
FINS**

Aluminum fins
individually bonded
to copper tube.
remain tight if
cutting is required.

Today's most advanced baseboard design

Superior performance, durability and ease of installation are combined to make Lo-Trim the choice in hydronic baseboard heating. Only 8" high, the Lo-Trim's attractive slim low-profile design will provide exceptional comfort and style to any room. The Lo-Trim is constructed using heavy gauge steel for years of trouble-free service. A full line of matching snap-on accessories offers easy installation flexibility.

< HEAVY DUTY STEEL COVER

The pre-painted white cold-rolled steel cover is attractive and rugged enough for any application. Cover snaps on and off for easy installation and cleaning.

< RED LINE ELEMENT

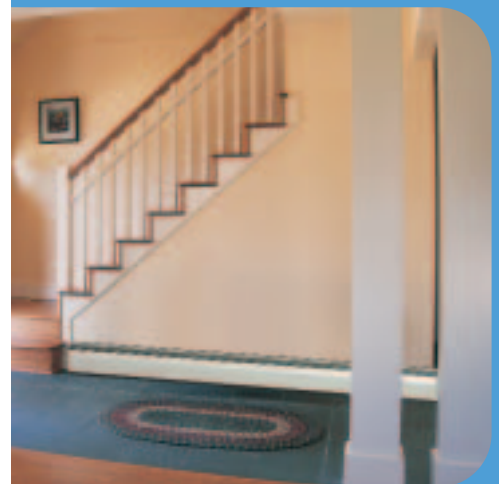
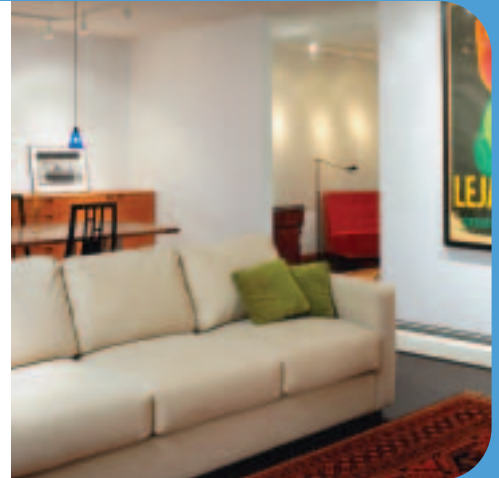
Lo-Trim elements utilize high efficiency aluminum fins and copper tubing for maximum heat output. Plastic runners fit the entire length of the element, preventing metal-to-metal contact, making the Lo-Trim virtually noiseless. Tough, odorless and heat resistant, runners protect fins from bending and simplify installation by eliminating need for cradles. Copper tubing is expanded at one end, so extra couplings are not required.

< COVE BOTTOM

The reverse curve feature of the Lo-Trim back panel eliminates need for molding strips when finishing floors to the wall. Rounded bottom prevents dirt accumulation, making cleaning easy.

< CLIP-ON HANGERS

Galvanized steel hangers simply clip into slots located every 6" on one-piece back panel. Plastic runners of element then fit snugly into hangers, automatically placing element in level position, ready for sweating.

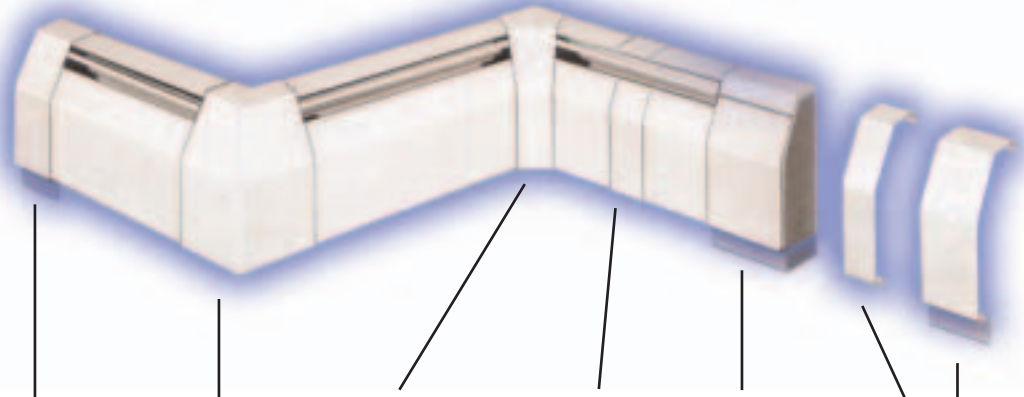


SLEEK LO-PROFILE DESIGN PROVIDES COMFORT WITH STYLE IN ANY ROOM.

The Lo-Trim's modular flexibility and BTU output range is the perfect match for residential hydronic heating installations.

Lo-Trim Accessories

A complete line of matching accessories designed for quick and easy snap-on installation. The right piece for any job. Inside and outside corners are available in 4 different angles, especially suited for bay windows and other odd angle corners. Special Parts are available to template.



End Caps
3" and 6"
left or right
end caps
in regular
panel size
or extending
to the floor.

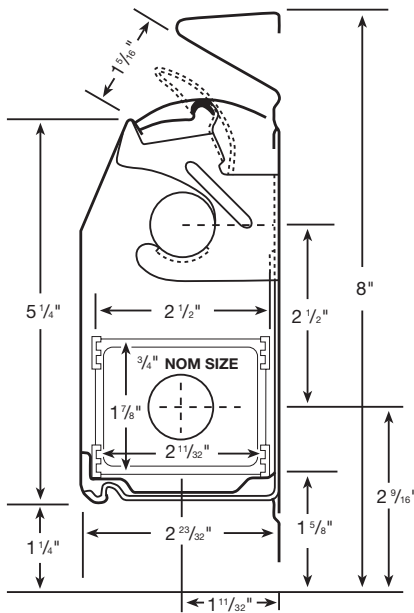
**Outside
Corners**
available
in 30°, 45°,
60° and
90° angles.
A size for
any job.

**Inside
Corners**
available in
30°, 45°,
60° and 90°
angles to
match outside
corners.

**3 Piece
Splice**
separate
splice for
cover,
damper
and
backplate.

**Long
Hinged
Ends**
left or
right 4"
end caps
extend
to floor.

**Splices and
Wall Ends**
Splices available
in 2", 4", 6"
and 14".
Wall ends
available in
3" and 6".



Rated	1GPM	370	430	500	560	630	690	760	820
Capacity	4GPM	390	450	530	590	670	730	800	870

The use of I=B=R Rating @ 4GPM is limited to installations where flow rate is known to be equal to or greater than 4 GPM. If flow rate is unknown, use 1 GPM rating.

I=B=R Ratings include 15% addition to water heat capacity.

Hot water ratings shown are at the STANDARD WATER FLOW RATE of 500 lb/hr (1GPM) and 2,000 lbs/hr (4GPM) with 65° entering air temperature.

Friction loss through Argo Baseboard unit at 1 GPM (500 lbs/hr) is 47 MIL-INCHES per foot and at 4 GPM (2000 lbs/hr) is 525 MIL-INCHES PER FOOT.

Rating base on active length. Difference between active and total length is 3".

Aluminum fins are 2 11/32" x 1 7/8" x .008" thick, spaced 65 per foot (unpainted).

All hot water ratings shown in this table determined in conformance with I=B=R Baseboard Rating committee.